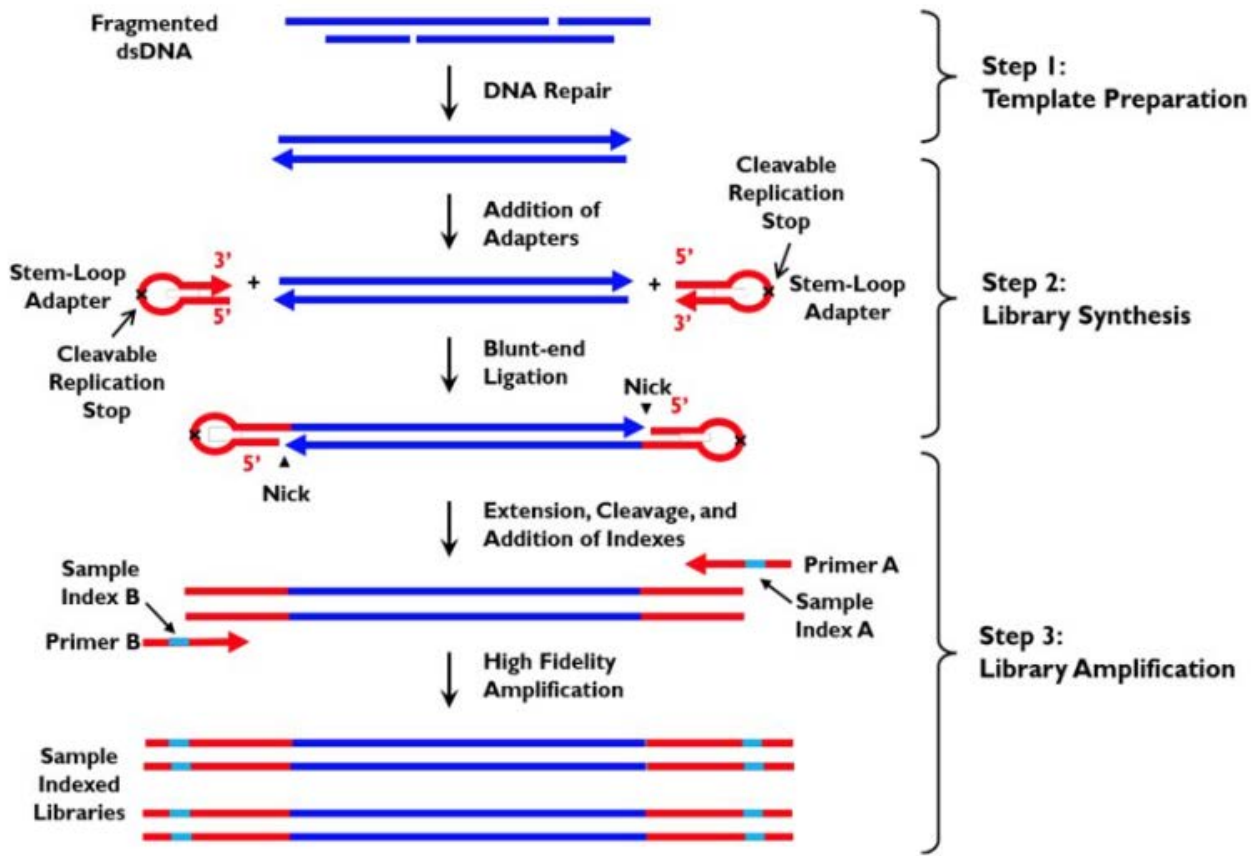


Chip-Seq



Whole Transcriptome Seq

